

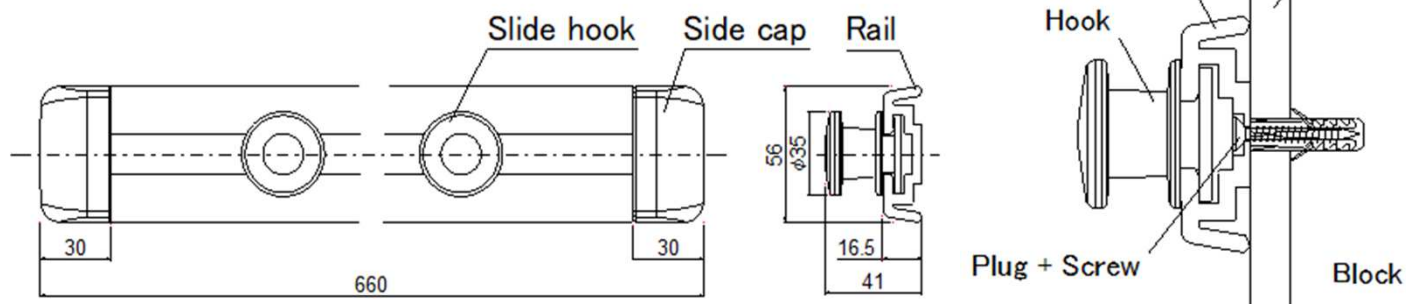
● Easy installation hanger



Key features

- Simple design
- Adjustable hook
- Install anywhere
- Adjustable length
- Load Capacity 5kg/1hook

● Product drawing · Installation drawing



● Material : ASA

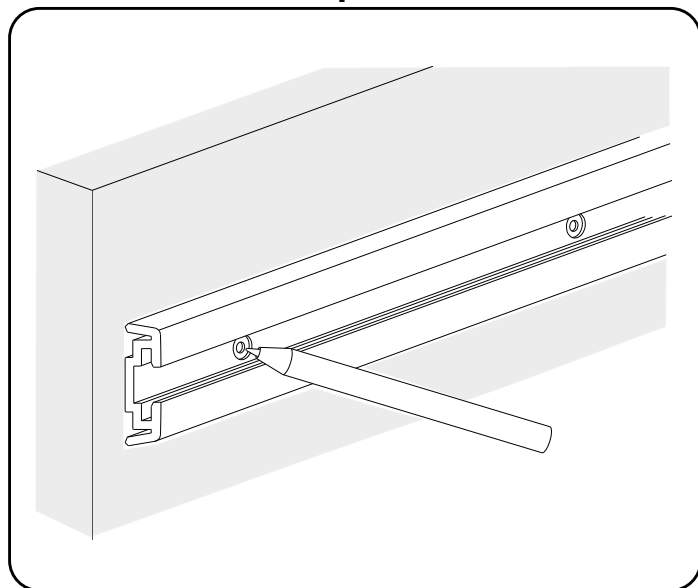
● Color : White

● Size : 660mm

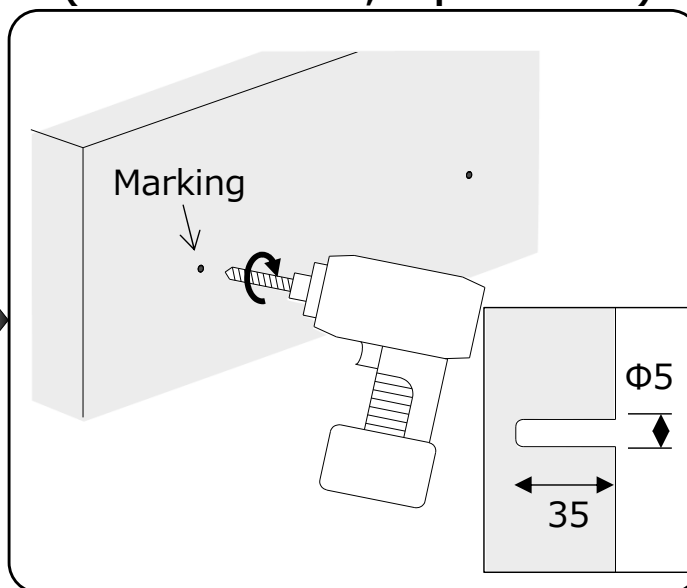
● MOQ : 1pcs

● Installation

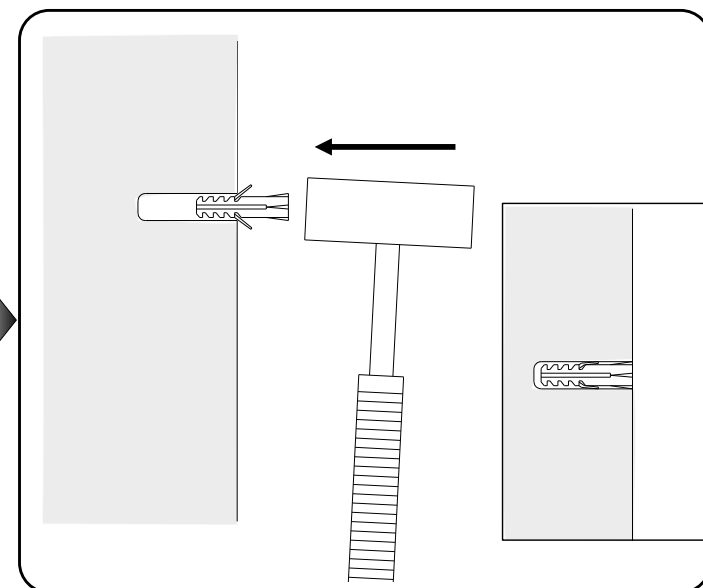
- ① Position the hanger and mark the hole positions



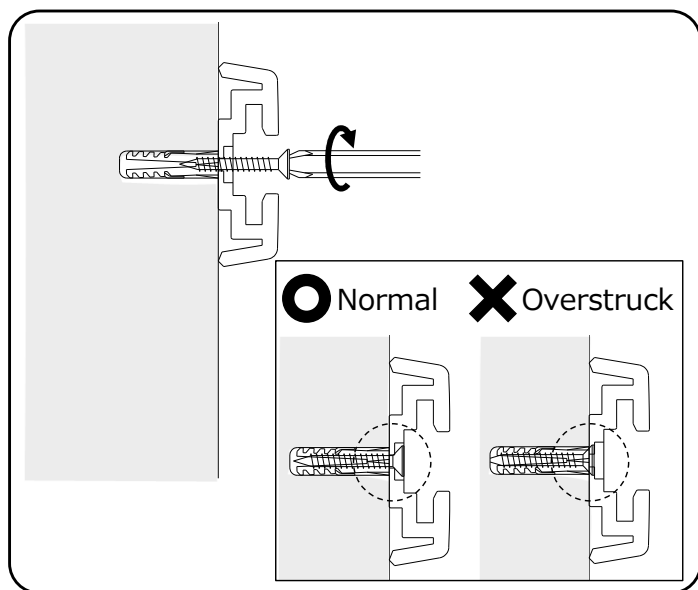
- ② Drill the holes
(Diameter 5 mm, depth 35 mm)



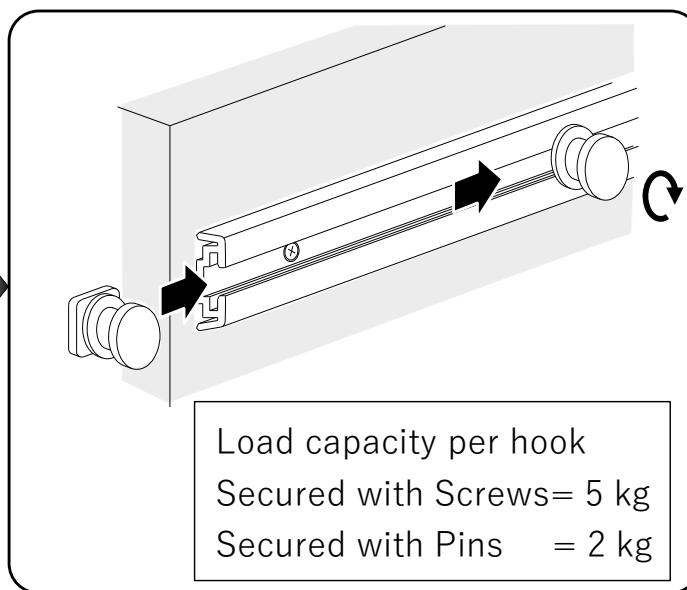
- ③ Install the anchor into the hole



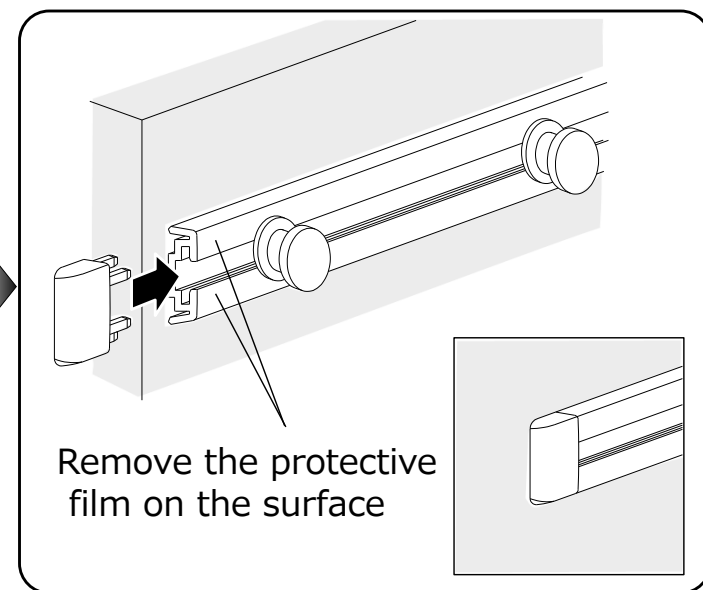
- ④ Secure the hanger with the screws according to the hole position.



- ⑤ Slide the hook through and turn clockwise to secure



- ⑥ Attach the endcap



● Construction example <COOL HANGER>

