

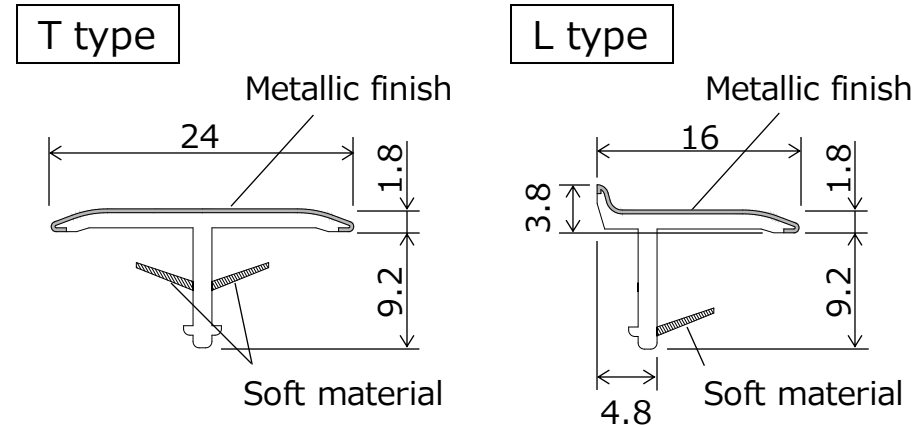
● Clean floor joints and edges



Key features

- Luxury metallic finish
- Less likely to be dented than metal products
- Made of plastic so it can be cut with a saw
- Easy installation with caulking
- Soft material holds position until caulking hardens

● Product drawing

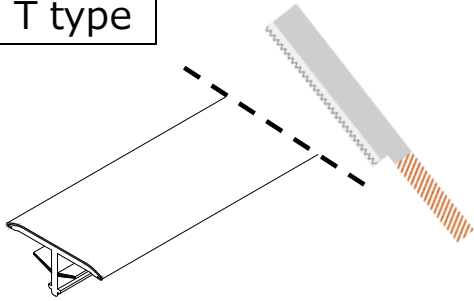


- **Material** : PVC+Acrylic
- **Color** : Metallic Gold, Metallic Silver
- **Length** : 2,000mm
- **MOQ** : 50pcs

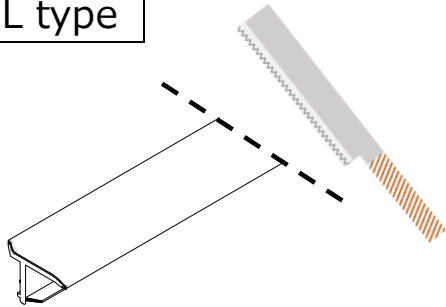
● Installation

① Cut to the proper length

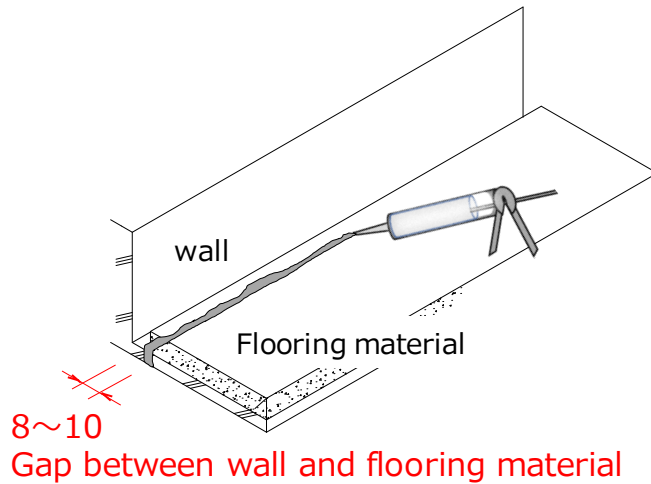
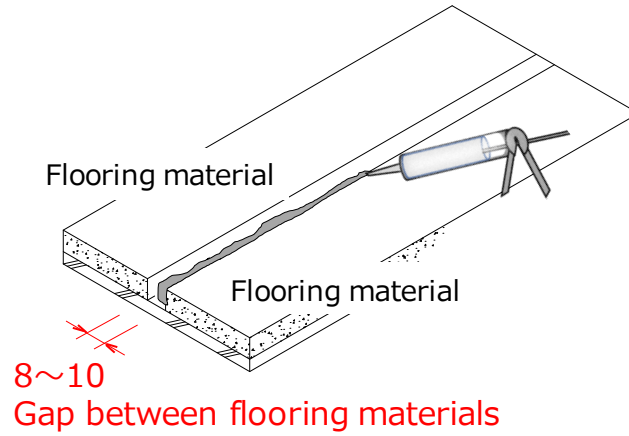
T type



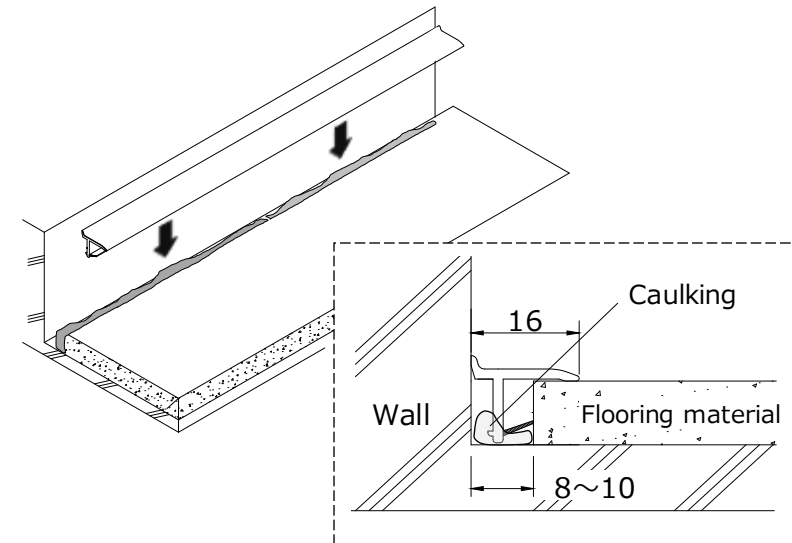
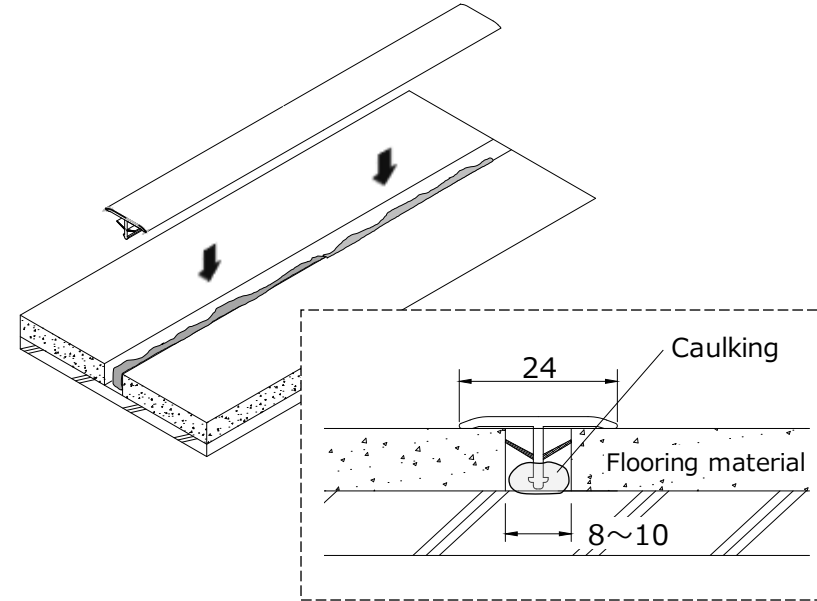
L type



② Apply caulking (Adhesive diameter $\Phi 6 \sim 8\text{mm}$)



③ Fit the FLOOR MIKIRI



● Construction example <FLOOR MIKIRI>

T type

■ CONDOMINIUM
(HO CHI MINH/VIETNAM)



■ STANDALONE HOUSE
(TOKYO/JAPAN)



L type

■ CONDOMINIUM
(HO CHI MINH/VIETNAM)



■ CONDOMINIUM
(HO CHI MINH/VIETNAM)



■ CONDOMINIUM
(HO CHI MINH/VIETNAM)



■ OFFICE
(TOKYO/JAPAN)

