

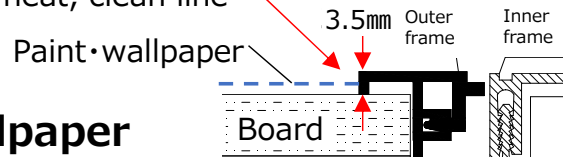
- Easy access to interior wall space for inspection of pipes




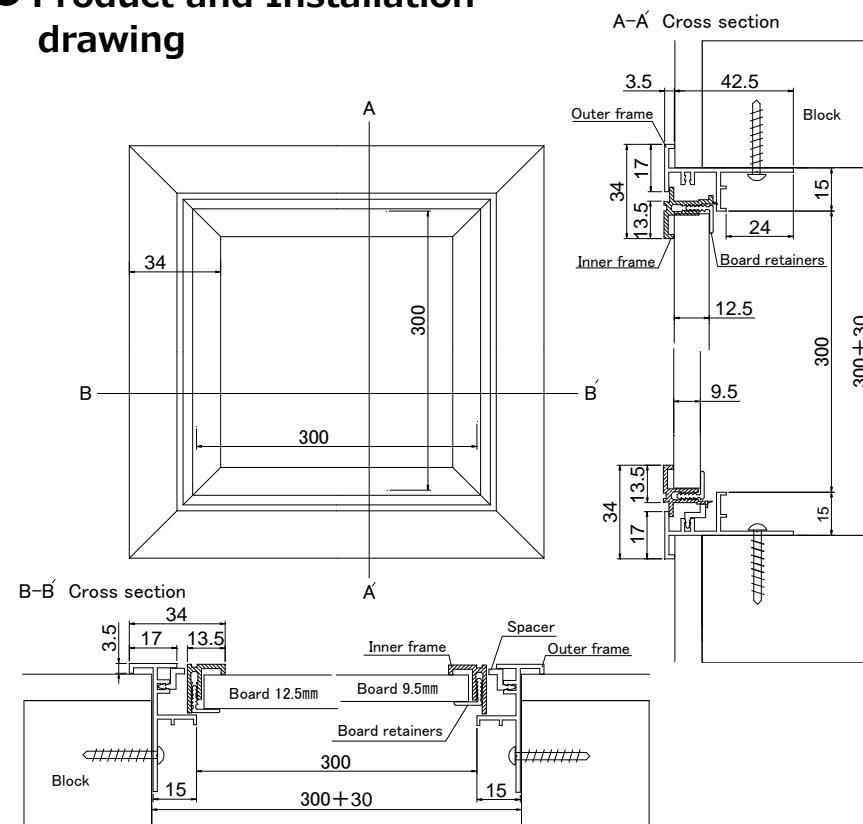
## Key features

- Easy method to inspect pipes inside walls
- Easy to open (Raise the lid slightly to open)
- Attachable board thickness 9.5mm or 12.5mm
- Light weight
- Clean, neat appearance with either paint or wallpaper

Stop paint or wallpaper at the edge of the frame to create a neat, clean line

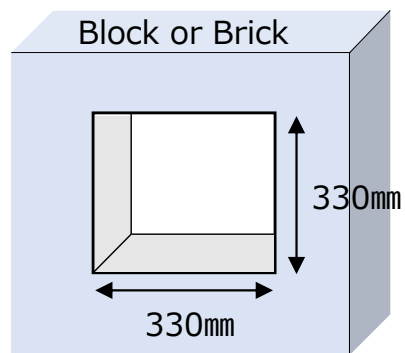


- Material : PVC
- Color : White 
- Size : 300×300mm
- Attachable board thickness : 9.5、12.5mm
- MOQ : 10pcs
- Product and Installation drawing

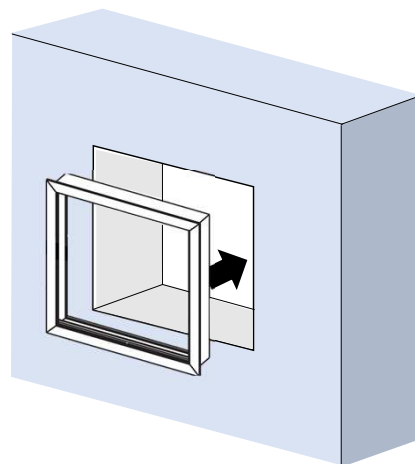


# ● Installation

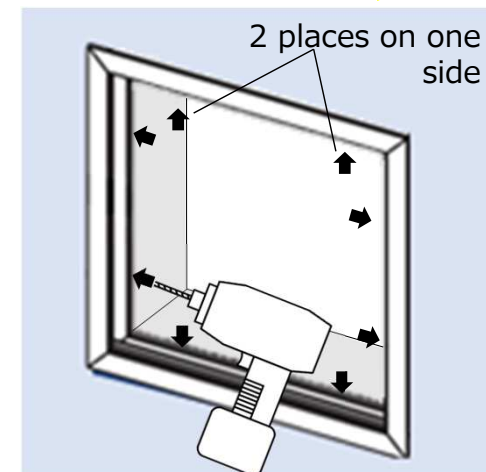
## ① Cut a hole in the wall



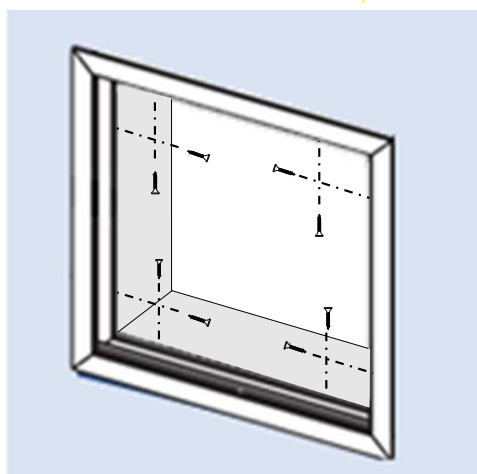
## ② Insert the outer frame



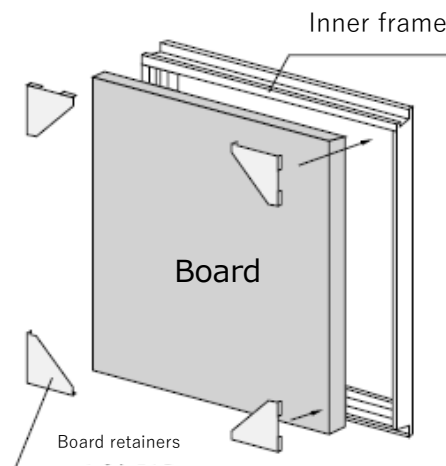
## ③ Drill holes on the inside of the frame (8 places)



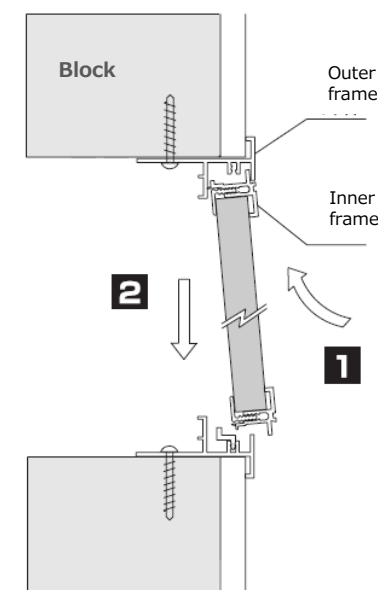
## ④ Secure with screws on the inside the frame



## ⑤ Create the lid (insert the board into the inner frame and attach it with the board retainers)



## ⑥ Close the lid 1 → 2



● Construction example <TENKENKO-1G>

